



4T-ES

## Features

- Predestined for public surroundings (vandalism risk), industrial extreme surroundings
- Carbon contact technology
- High operating comfort thanks to our specially developed long-stroke keys
- Keycaps and complete housing made of stainless steel
- Almost resistant to the effects of violence
- Available with and without backlight
- Backlit key symbols are done by laser cutting
- Backlight available in different colours
- Any customer-specific adaptations can be implemented on request

## Mechanical Data

- Dimensions of 119 x 43 x 22 mm
- 3,25 mm travel keys with tactile feel
- Operation force 0,65 N
- 4 keys in compact layout
- Ergonomic 15 mm keycaps
- Durability > 10 million ops.
- Storage temperature -40°C - +70°C
- Operation temperature 0°C - +60°C (optional -20°C - +60°C)
- Protection IP65, IK09

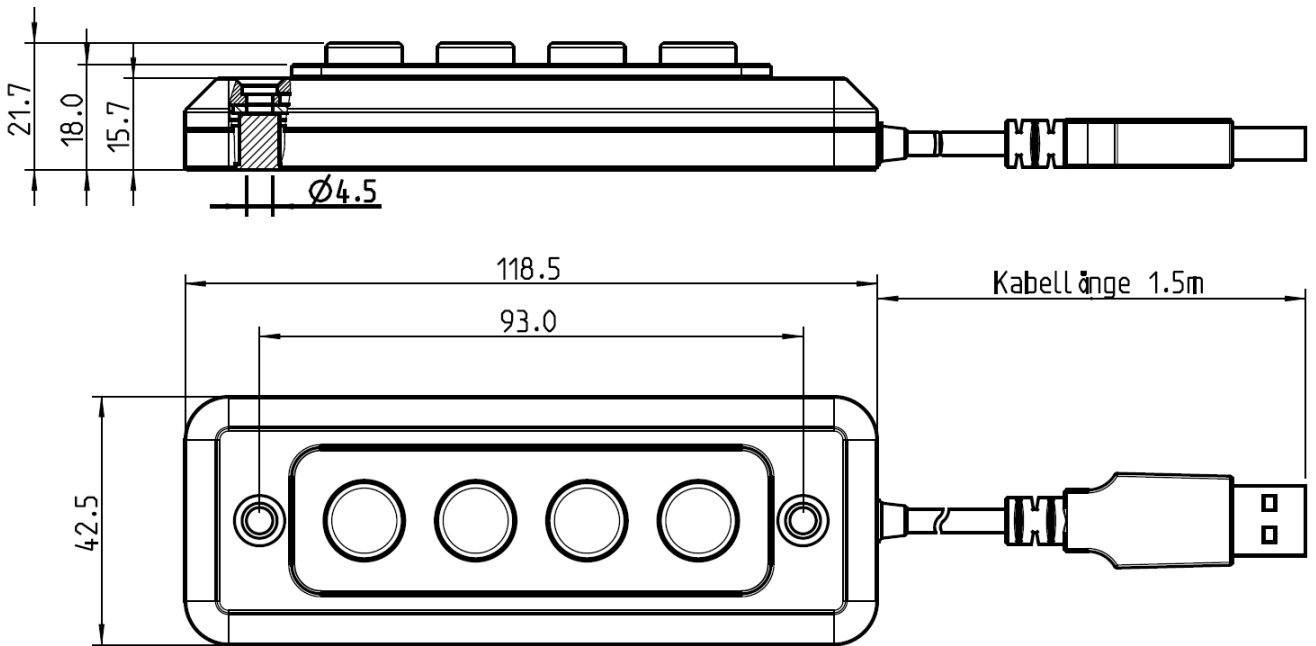
## Electrical Data

- Connection via USB 2.0
- Power supply + 5 V/DC, 50 mA
- 2-key rollover
- Autorepeat
- CE Compliant
- RoHS/Reach Compliant

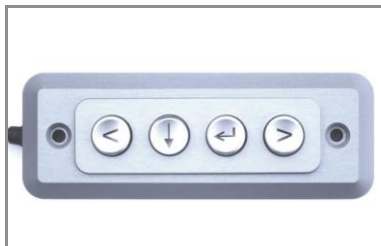


**PRINTEC**  
**DS**  
control touch trust

## Drawing



## Versions



4T-ES

- Laser etched keycaps



4T-ES HL

- Backlit keycaps

**PRINTEC**  
**DS**  
control touch trust