



- 38 mm ball
- waterproof scroll wheel
- IP68 sealing

IEC60945 COMPACT IP68 TRACKBALL WITH SCROLL WHEEL

The MTSX38 “Scroll&Roll“ trackball is the worlds’ first waterproof trackball with integrated IP68 scroll wheel. Easy scrolling & rolling throughout your applications, even in the harshest of environments. It's equipped with a waterproof 38 mm laser trackball. A removable top ring facilitates the cleaning of ball and ball compartment for use in even the most dusty environments. The use of stainless steel for the various parts ensures the best resistance in salty or greasy environments. Due to its outstanding sealing, its professional style and its industrial robustness, these trackball units are the best suited pointing device for all harsh or hostile environments, indoor and outdoor.

These panel mount types are available with panel mount studs or with holes (for countersunk M4 screw). Furtheron you can choose for a blank or matt blackened carrier plate. A silicone sponge gasket is included with the module to ensure adequate sealing into the customers' panel or console and a cover plate on the rear side protects the components. This series is directly plug compatible to PS/2 or USB ports and offers very straight forward mounting and integration.

GENERAL TECHNICAL SPECIFICATIONS

Certificate of Conformity	: Fully compliant with IEC60945
Sealing	: IP68 waterproof
Carrier plate	: Stainless steel
Ball diameter	: 38,1 mm
Ball material	: polyester
Dimensions	: 100 x 116 x 40 mm
Weight	: 0,5 kg
Lifetime trackballs	: >= 2 million ball revolutions
Lifetime scroll wheel	: 1 million operations
Lifetime switches	: 3 million operations
Tracking force	: nom. 50 grams
Output	: PS/2 & USB Combo
Cable	: 1 shielded, straight 1,6 m long
Operating temperatur	: 0°C to +60°C
Storage temperature	: -25°C to +80°C

CONNECTIVITY

Combo PS/2 & USB trackball units are supplied with a 1,6 meter long shielded straight cable ended by a USB type A plug. An adaptor to PS/2 is added. No special device driver is needed, use standard available drivers of your operating system.

* Due to the increasing differences of the PS/2 mouse port specifications of the various PC manufacturers, we do recommend that this unit should be tested on the final PC configuration and operating system prior to installing it in series.



CE

Compliant to EMC for Electromagnetic Compatibility. Low Voltage not applicable for our trackballs.

ORDER INFO

Front panel mount with studs

Blank topplate	MTSX38F8-0001-MC3
Black topplate	MTSX38F8-0BT1-MC3



Front panel mount with holes

Blank topplate	MTSX38N8-0001-MC3
Black topplate	MTSX38N8-0BT1-MC3

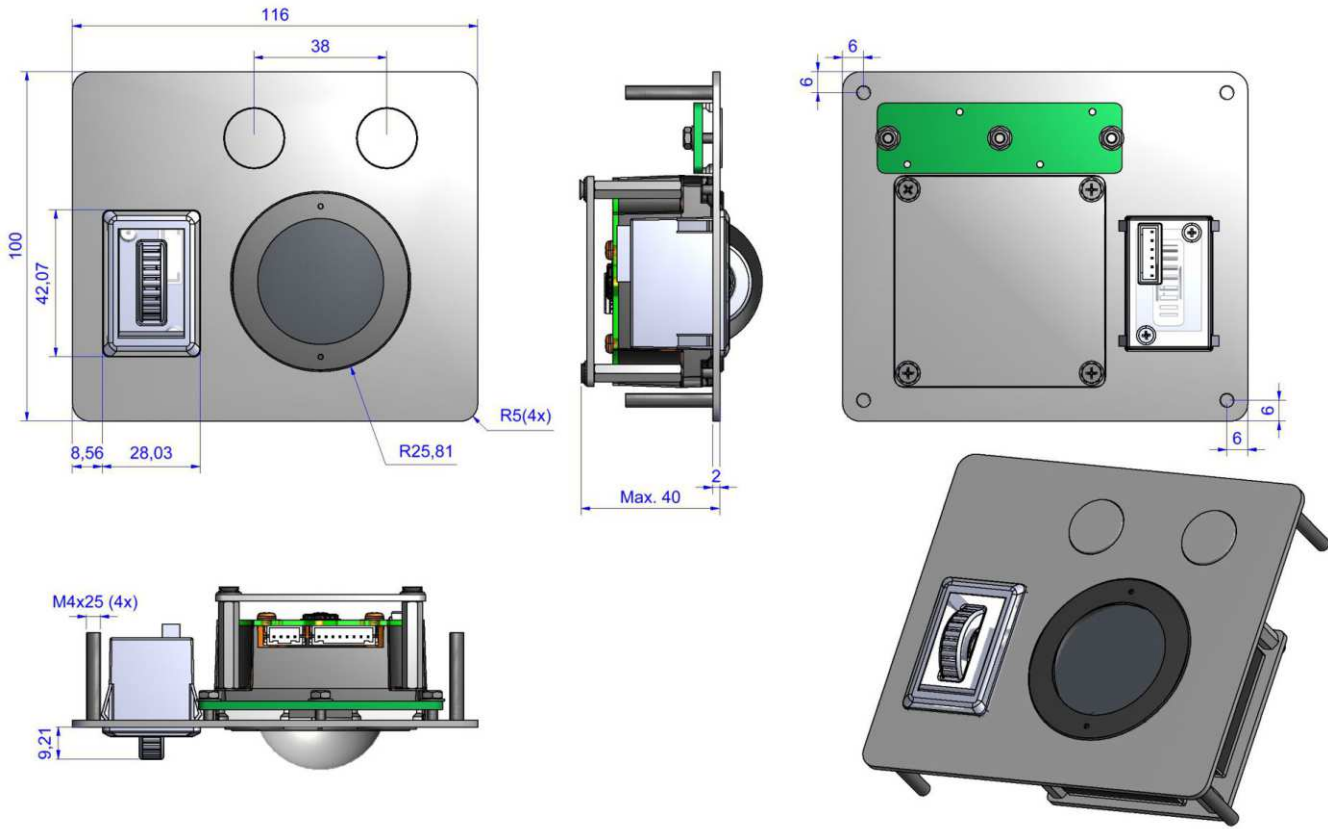


Output : PS/2 & USB Combo

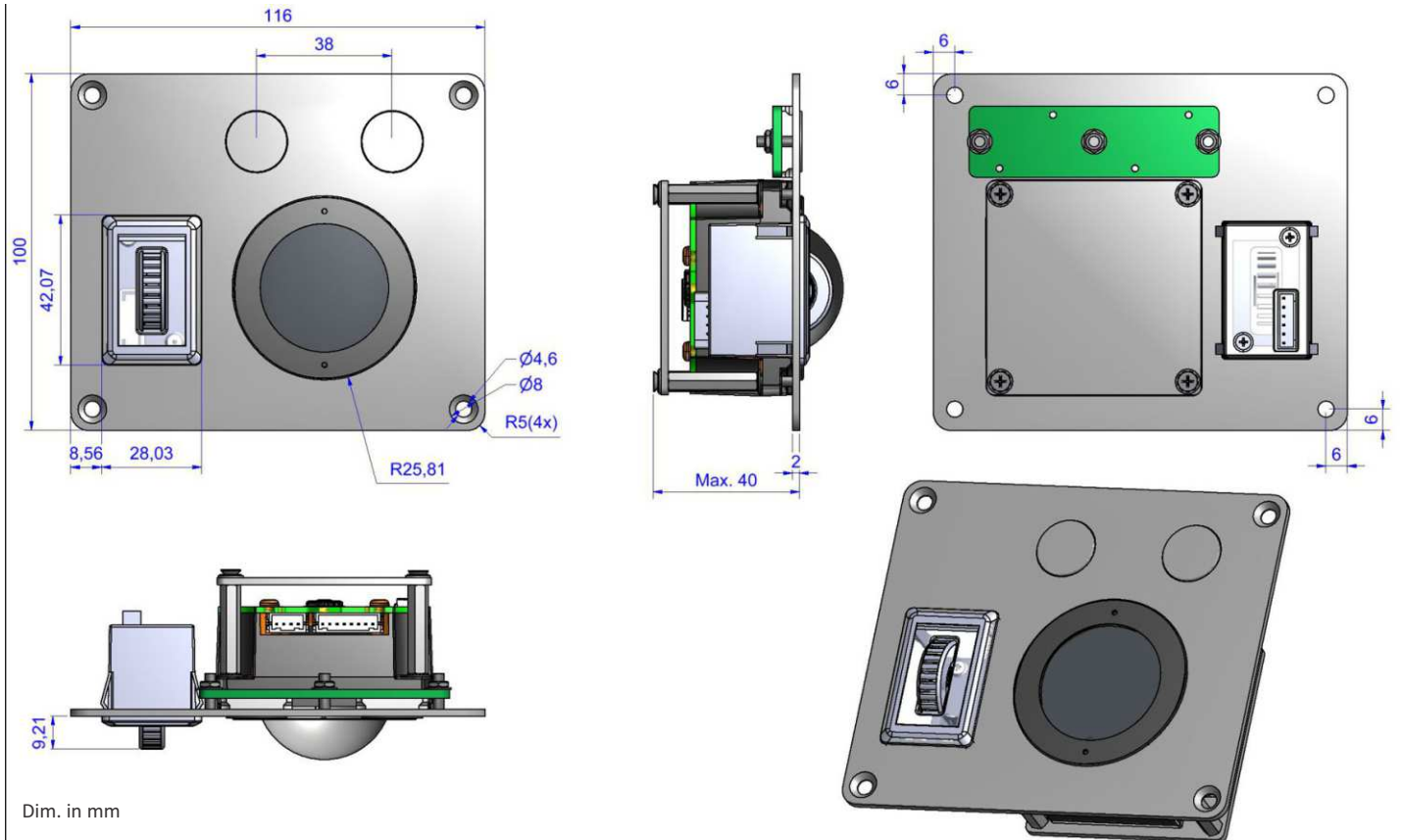


DIMENSIONAL DRAWING

Front panel mount with studs



Front panel mount with holes



Dim. in mm

The company reserves the right to alter without prior knowledge the specification or design of any standard product or service.