



SSP

Safety System Products

HOLDX RS2-CS-P8-W-B

Process guard lock master, individual, reteachable, 2 x pigtail
M12 8-pin, 600 N locking force

Your advantages

- PLe according to EN 13849-1
- High Coded according to EN 14119
- From little windows up to big safety doors
- Shortest commisioning time
- Pigtail connection reduces cabling effort
- Less down- and setup time, due to maintenance Monitoring
- High tolerance for door offsets



To the downloads ►

we simplify safety



Safety System Products

HOLDX RS2-CS-P8-W-B

In its small and compact design, the HOLDX RS enables a locking force of 600 N. In addition to the locking force of the electromagnet, the movably supported anchor plate has a 50 N permanent magnet which prevents a door from instant opening.

Locking force Fmax	600 N
--------------------	-------

General data

Type designation	RS2-CS-P8-W-B
Item number	SP-X-71-001-11
Coding levels	Individually

Environmental conditions

Max. storage temperature	-20 °C...+70 °C
Max. operating temperature	-20 °C...+55 °C
Protection class	IP67

Electrical data

Supply voltage	24 VDC (+10/-15%)
Power consumption (incl. OSSD outputs)	16 W
Rated current (on 24 VDC)	645 mA
No-load current I0	60 mA
Amount safety inputs	1x 2-channels
Current consumption per input max.	2,75 mA
Current consumption input magnet ON	1,2 mA
Voltage drop safety output (Ud)	0,75 V
Amount OSSD safety output	1x 2-channels
Safety output - output type	Transistor (PNP)
Residual current safety output (Ir)	0,5 mA
Load capacitive reactance safety output max.	20 nF
Amount diagnosis output	1
Diagnosis output- output type	Transistor (PNP)
Connection type	M12 8-polig, Pigtail 200 mm



Safety System Products

HOLDX RS2-CS-P8-W-B

Series connection for safe In- and Outputs	max. 30 locks
Protection class power supply	III
Switching current per diagnosis output max.	100 mA
Design / Connections	2x Pigtail 8-pin
Bluetooth	□
Risk time	75 ms ms

Mechanical data

Dimensions

Width	45 (35) mm
Length	128,6 (without cable) mm
Height	33,5 mm
Weight	375 g
Locking force electromagnet	600 N
Permanent resting force	50 N
Smart resting force	0/ 30 N/ 50 N
Torque (mounting screw) process lock	6 Nm
Shock resistance	30 g / 11 ms
Vibration resistance	1 g, 5-150 Hz

Switching distance according to DIN EN 60947-5-3:2014-12

Assured switching distance ON S(ao)	6 mm
Assured switching distance OFF S(ar)	18 mm
Minimum switching distance S0min	0,5 mm
Typical switching distance S(n)	11 mm
Repeat accuracy R switching distance	<0,5 mm
Hysteresis	2 mm

Generall periods

Readiness delay t(v)	5000 ms
Start delay acctuator t(on)	75 ms

Safety function times

Switch-off reaction time inputs	max. 3 ms
Switch-off reaction time anchor plate - Outputs t(off)	max. 75 ms

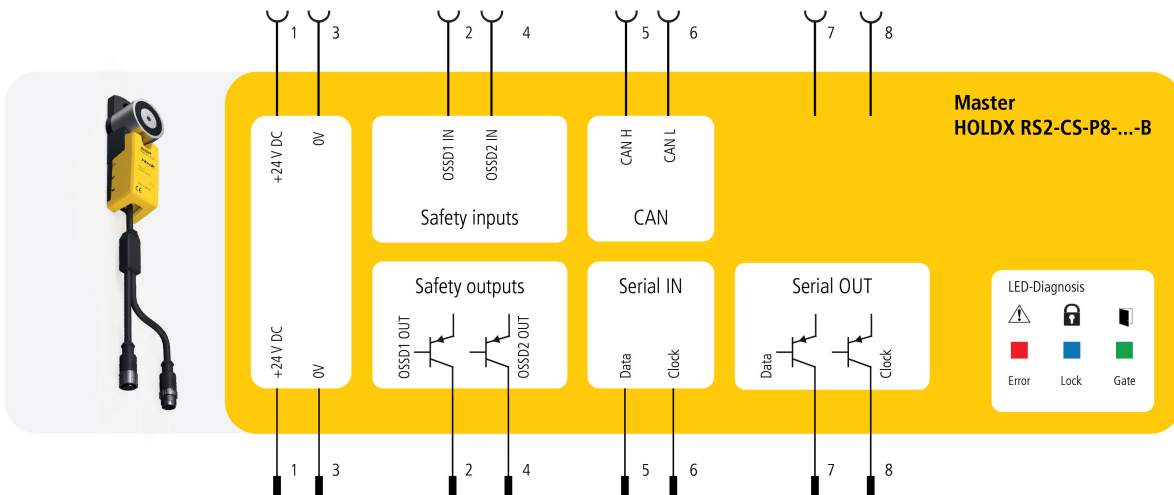
HOLDX RS2-CS-P8-W-B

Test impulse length OSSD Sicherheitsausgänge 0,3 ms

HOLDX RS2-CS-P8-W-B

Electrical drawings

Connection drawing

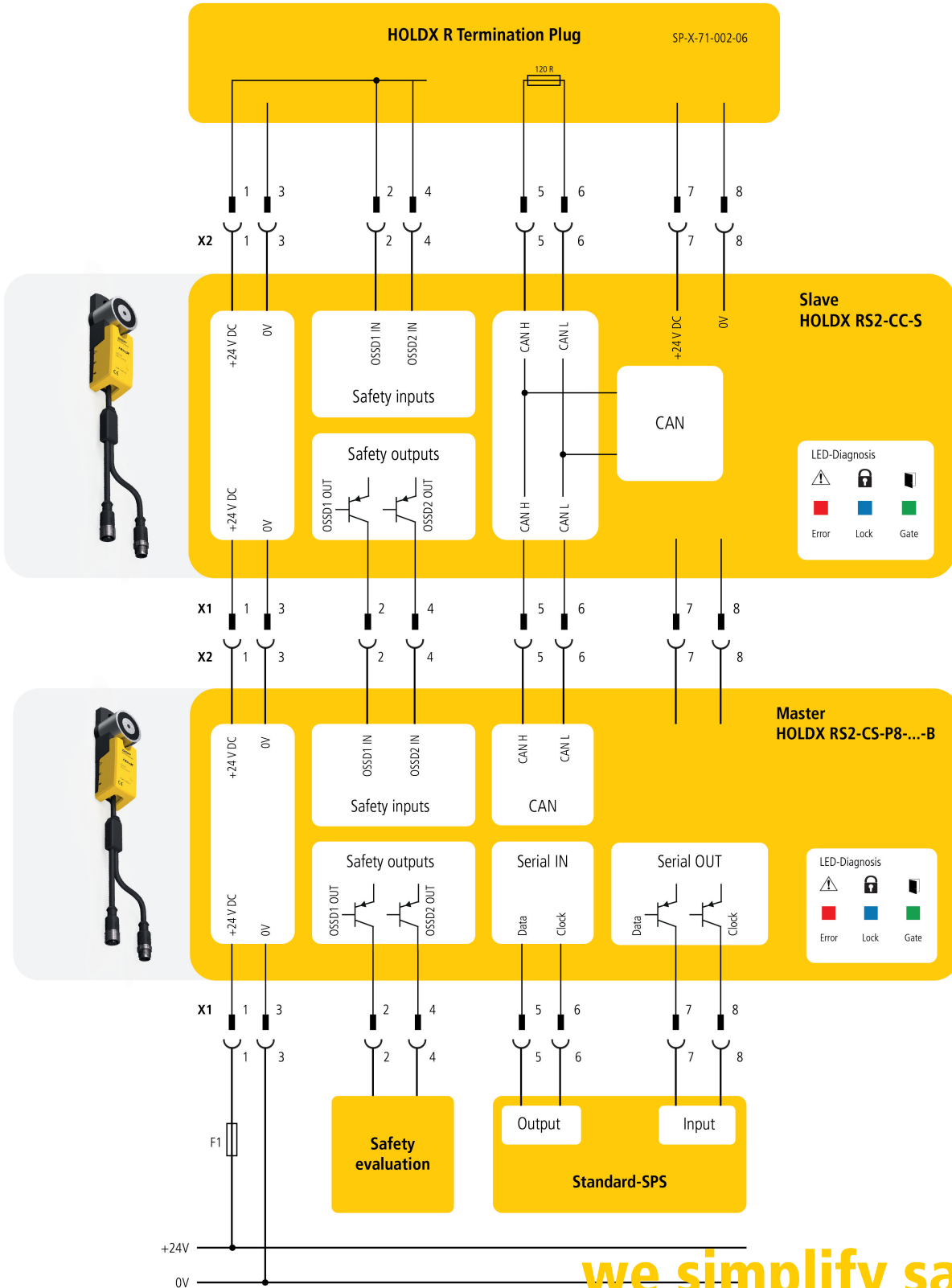




HOLDX RS2-CS-P8-W-B

HOLDX RS2-CS-P8-W-B

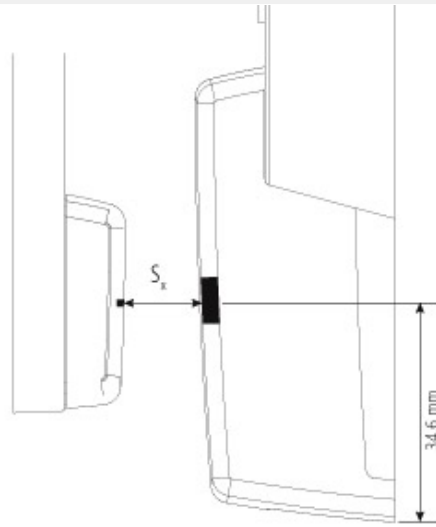
Connection example 1



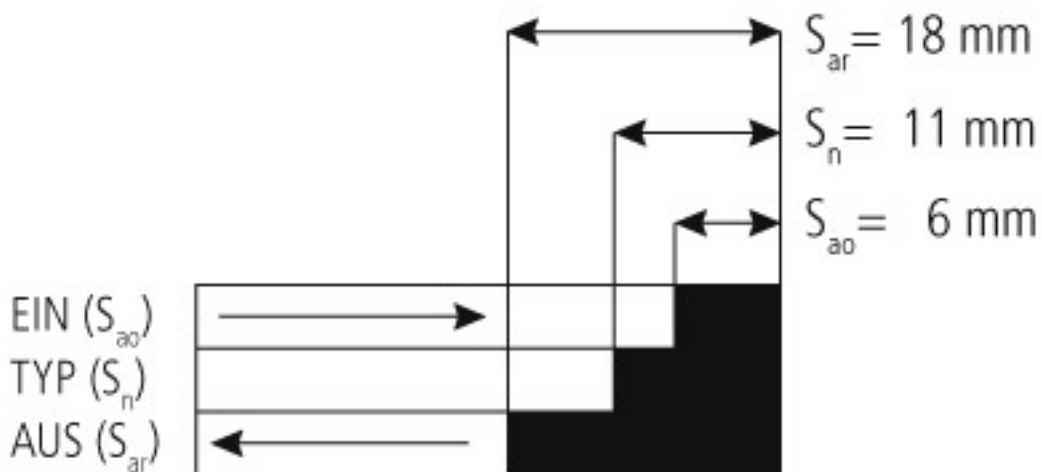
HOLDX RS2-CS-P8-W-B

Drawings

Approach



Switching gap



Begriffe nach EN IEC 60947-5-3:

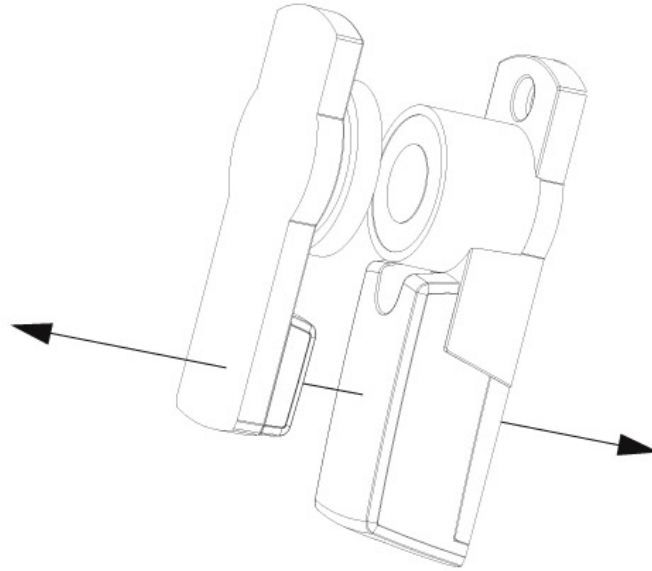
S_{ao} = Gesicherter Schaltabstand EIN

S_n = Typischer Schaltabstand

S_{ar} = Gesicherter Schaltabstand AUS

HOLDX RS2-CS-P8-W-B

Approach direction



Equipment

Accessories

M12-female connector, 8 pin, 10 m

C8D10

SP-R-13-309-81



M12-female connector, 8 pin, 15 m

C8D15

SP-R-13-309-82



M12-female connector, 8 pin, 25 m

C8D25

SP-R-13-309-67



M12-female connector, 8 pin, 40 m

C8D40

SP-R-13-309-66



HOLDX RS2-CS-P8-W-B

M12-female connector, 8 pin, 5 m

C8D5

SP-R-13-309-80



Safety switches

Free software for safe process guarding HOLDX R

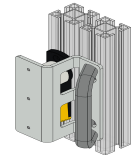
HOLDX Manager



Mounting fitting HOLDX RS for wing doors with handle

HOLDX RS-Z-MF1

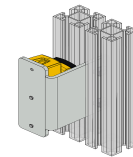
SP-X-71-002-02



Mounting fitting HOLDX RS for wing doors incl. screws

HOLDX RS-Z-MF2

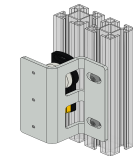
SP-X-71-002-07



mounting bracket for HOLDX RS, for hinged doors mounting on the inside

HOLDX RS-Z-MF3

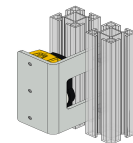
SP-X-71-002-09



Mounting fitting HOLDX RS for sliding doors

HOLDX RS-Z-MS1

SP-X-71-002-03



Passive distributor

XCONN P6-M12-10m

SP-X-71-000-04



Passive distributor

XCONN P6-M12-5m

SP-X-71-000-00





Safety System Products

HOLDX RS2-CS-P8-W-B

Passive distributor

XCONN P6-M12-M23

SP-X-71-000-01



Y distributor

XCONN Y2-M12

SP-X-33-000-71



Connection module EDI C7

XCONN Y4-M12

SP-X-33-000-76



Safe control technology

MOSAIC M1

SP-R-11-000-00



Standard safety relay 1 safety function

S2 series

SP-K-70-001-00



Wireless Safety

Safety Simplifier | for two HOLDX R1

S14LDRB-H08-E2-I1-Q1A0-Q

SP-X-89-000-50

Z10-Q3C0-Q4I0-W10



Safety Simplifier | for HOLDX R1

S14LDRB-H09-E2-I1-I1-Q1A0-

SP-X-89-000-47

Q2A0-Q3C0-Q4I0-W07



we simplify safety

HOLDX RS2-CS-P8-W-B

Safety Simplifier | for two HOLDX R1

S14LDRB-H09-E2-I1-I1-Q1A0-
Q2I0-Q3C0-Q4I0-W11

SP-X-89-000-51



Safety Simplifier | for HOLDX R1

S14LDRB-H0A-E2-I1-I1-I1-Q1
A0-Q2A0-Q3C0-Q4I0-W08

SP-X-89-000-48



Safety Simplifier | for two HOLDX R1

S14LDRB-H0A-E2-I1-I1-I1-Q1
A0-Q2I0-Q3C0-Q4I0-W12

SP-X-89-000-52



Safety Simplifier | for HOLDX R1

S14LDRB-H0A-E2-I1-I1-K8-Q1
A0-Q2I0-Q3C0-Q4I0-W09

SP-X-89-000-49



Safety Simplifier Standard Module wireless passive distributor

S16LDRB-H10-Q1A0-Q2A0-Q
3C0-Q4A0-Q5U0-Q6U0-Q7U
0-Q8U0-W36

SP-X-89-100-06



Y-distributor

XCONN Y1-M12

SP-X-71-000-02



Downloads

- Operating manual
- CAD Data
- Catalog
- Product line
- Software Gateway
- EPLAN-Data
- Certificate UI

we simplify safety